

Kemlan Coupe



a stylish range
of two door
double sided,
slow combustion
wood heaters

 **KEMLAN**
ESTABLISHED 1969

specialists in wood heating

Side A view



Side B view

The Kemlan Coupe Freestanding is the perfect solution to heating large open plan living areas.

Kemlan Coupe Freestanding shown in satin black with brass trim



Coupe Freestanding

A unique double-sided wood heater, the Kemlan Coupe Freestanding is a valuable addition to modern open plan living.

The Kemlan Coupe burns safely, with the flame behind two large, strong glass ceramic viewing areas. The glass ceramic shall remain clean throughout the life of the fire by an advanced airwash system designed within the firebox. The flames are so natural, the glass so clean, that viewing is actually more satisfying than an open fireplace.

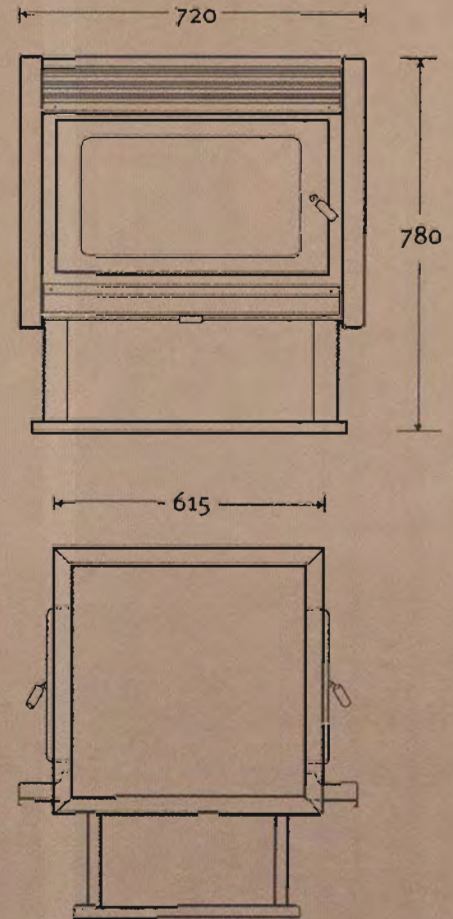
The fully shielded firebox incorporates a two-way natural convection system. This system allows warmth to circulate throughout your home. An optional 2 speed fan is available to increase circulation by fan forced convection.

During operation the emission output will be kept at an environmentally friendly level as the Coupe passes the strict clean air standard AS/NZS 4012/4013.

The Coupe is tested to AS/NZS 2918 for safety clearances to heat sensitive materials.

Kemlan offers you flexibility in your choice of colours. The Coupe is available in four standard colours: Satin Black, Charcoal, Golden Fire Brown and Metallic Moss Green or four special colours: these are Metallic Brown, Pewter, Metallic Blue and Forrest Green. Consult your local distributor for the pricing details and availability of the colour you choose.

Kemlan is a wholly owned and operated Australian company established in 1969, specialising in the design and manufacture of quality wood heating appliances. Relax in comfort with the unique Coupe Freestanding warming your home.



- A floor protector is required where the floor is heat sensitive. Thickness to be a minimum of 14mm heat resistant material and must extend 300mm in front and 200mm to each side of the firebox openings.

Minimum floor protector size

- 1150 x 1150mm.

- **Minimum clearance** from the side of the heater to a heat sensitive wall with one 900mm length of flue shield fitted is 350mm.

- **Clearance from the side** of the heater to a heat sensitive wall when used as a room divider must be 225mm.

- **Shipping weight** 164kg.

Pricing Details:

\$

Kemlan Coupe Freestanding	
2 speed fan (optional):	
Special colour (optional):	
Flue system:	
.	
.	
.	
.	
.	
.	



Side A view



Side B view

The Kemlan Coupe Wall Penetration is a unique concept in modern slow combustion home heating.

Kemlan Coupe Wall Penetration shown in charcoal with brass trim



Coupe Wall Penetration

The Kemlan Coupe Wall Penetration is a truly unique double-sided heating system. Designed to be installed in a wall between two rooms, such as a formal lounge/dining and family room, it provides both rooms with a view of the fire. Various finishes to suit either a modern or traditional style can complement the flush fitting side. The reverse side has the appearance of a freestanding heater, ideal for a family or rumpus room.

The Kemlan Coupe burns safely, with the flame behind two large, strong glass ceramic viewing areas. The glass ceramic shall remain clean throughout the life of the fire by an advanced airwash system designed within the firebox. The flames are so natural, the glass so clean, that viewing is actually more satisfying than an open fireplace.

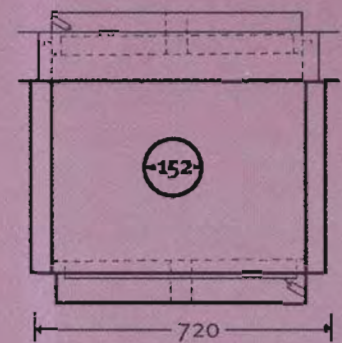
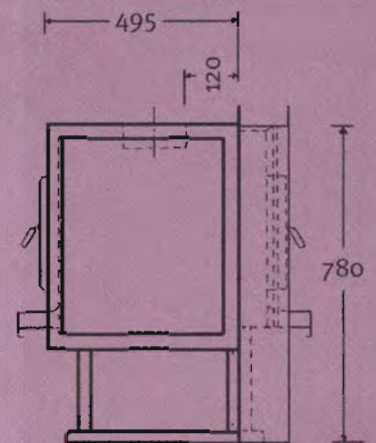
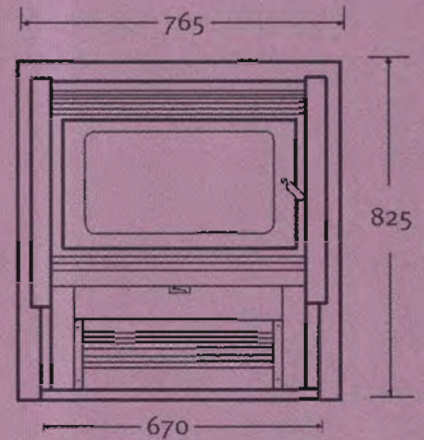
A Kemlan double sided heater will warm your home more efficiently than a single-sided heater. The fully shielded firebox incorporates a two-way natural convection system. This system allows warmth to be evenly distributed between two rooms. Even distribution of the warmth allows it to quickly circulate throughout your home. An optional 2 speed fan is available to increase circulation by fan forced convection.

During operation the emission output will be kept at an environmentally friendly level as the Coupe passes the strict clean air standard AS/NZS 4012/4013.

The Coupe is tested to AS/NZS 2918 for safety clearances to heat sensitive materials.

Kemlan offers you flexibility in your choice of colours. The Coupe is available in four standard colours: Satin Black, Charcoal, Golden Fire Brown and Metallic Moss Green or four special colours: these are Metallic Brown, Pewter, Metallic Blue and Forrest Green. Consult your local distributor for the pricing details and availability of the colour you choose.

Kemlan is a wholly owned and operated Australian company established in 1969, specialising in the design and manufacture of quality wood heating appliances. Relax in comfort with the unique Coupe Wall Penetration warming your home.



- A floor protector is required where the floor is heat sensitive. Thickness to be a minimum of 14mm heat resistant material and must extend 300mm in front and 200mm to each side of the firebox openings.
- Designed to be installed through an existing timber or single/double brick wall. Consult your local authorised distributor for specifications regarding installation.
- U-section surround/lintel must be set into brick work or hebel block. Consult your local authorised distributor for the style to suit your application.
- Shipping weight 168kg.

Pricing Details:	\$
Kemlan Coupe Wall Penetration	
2 speed fan (optional):	
Cast iron fascia (optional):	
Special colour (optional):	
Flue system:	
.	
.	
.	
.	
.	
.	
.	
.	
.	



Side A view



Side B view

The Kemlan Coupe Inbuilt/Insert can be used as a stylish room divider, while heating two rooms at once.

Kemlan Coupe Inbuilt shown in satin black with stainless steel trim



technical specifications

The Kemlan Coupe range consists of three unique double sided models:

Freestanding model

Wall Penetration model

Insert model

This unique double sided heating system was designed by Kemlan so the fire can be enjoyed in more than one room while distributing heat evenly throughout the home.

All models are available with an optional two speed fan.

clean

- Environmentally friendly
- Complies to AS/NZS 4012/4013 for clean emission output.
- Preheated primary airwash system ensures a clean view of the fire from both sides.
- Eight point secondary air induction system.

simple

- Trouble free operation
- One easy slide control for steady controllable heat.
- No levers, rods or dampers.
- Easy to light.

safe

- Tested to AS/NZS 2918 for safety clearances.
- Fully shielded convection firebox.
- Two large glass ceramic viewing areas.

efficient

- High heat output.
- Natural convection system.
- Optional 2 speed fan.

robust

- 6mm welded steel firebox.
- Firebrick lined floor.
- Removable heavy duty baffle plate.
- Heavy duty door hinges.
- Serviceable door handle assembly.
- Stainless steel glass holder.

- construction** - 6mm heavy duty steel firebox - fully welded
- 25mm thick firebrick lined floor
- 6mm heavy duty steel baffle plate
- performance** - Heating capacity - 170-240m² (18-25 squares)
- Peak heat output - 14.6kW
- Average emission output - 4.0g/kg

AVERAGE	BURN RATE		
	HIGH	MEDIUM	LOW
Heat output (kW)	9.9	5.8	4.7
Fuel consumption (kg/hr)	3.6	1.9	1.4

HRL Technologies test report no. RF/93/060

Fuel type - Hardwood

Heating capacity of this appliance is given as a guide only and may vary depending on the climate zone and type of dwelling (floor plan and degree of insulation). Consult your local authorised distributor to determine realistic expectations for your home.

Heat output and fuel consumption of this appliance is dependant on the moisture content, size, loading geometry and the type of hardwood used.

The appliance is tested to the safety standard AS/NZS 2918. When in use some parts may become hot. A suitable fireguard is recommended where the very young, elderly or infirm are concerned.

10 year firebox warranty

The firebox is covered by a 10 year warranty.
Other parts are covered by a one year limited warranty



ABN 43 003 209 961

KEMLAN INDUSTRIES PTY LTD

Specialists in fireplace design & manufacture

Head Office: 59 Pineapple Street (PO Box 259) Zillmere Qld 4034

Telephone: (07) 3263 8488 Facsimile: (07) 3263 6452

www.kemlan.com

Kemlan Fireplaces would like to thank Guests Furniture for the use of their showroom settings.

Printed in Australia edition 01/2001



All dimensions shown are approximate. Check all dimensions accurately before installation. Before installing refer to the installation instructions.

In line with our policy of continuous improvement, we reserve the right to alter specifications without notice.



your local authorised distributor

AGNEWS FIREPLACES

376 SWAN STREET RICHMOND, VIC 3121

TEL.: (03) 9426-2900

FAX : (03) 9426-2999

E-mail: sales@agnews.com.au Website www.agnews.com.au